

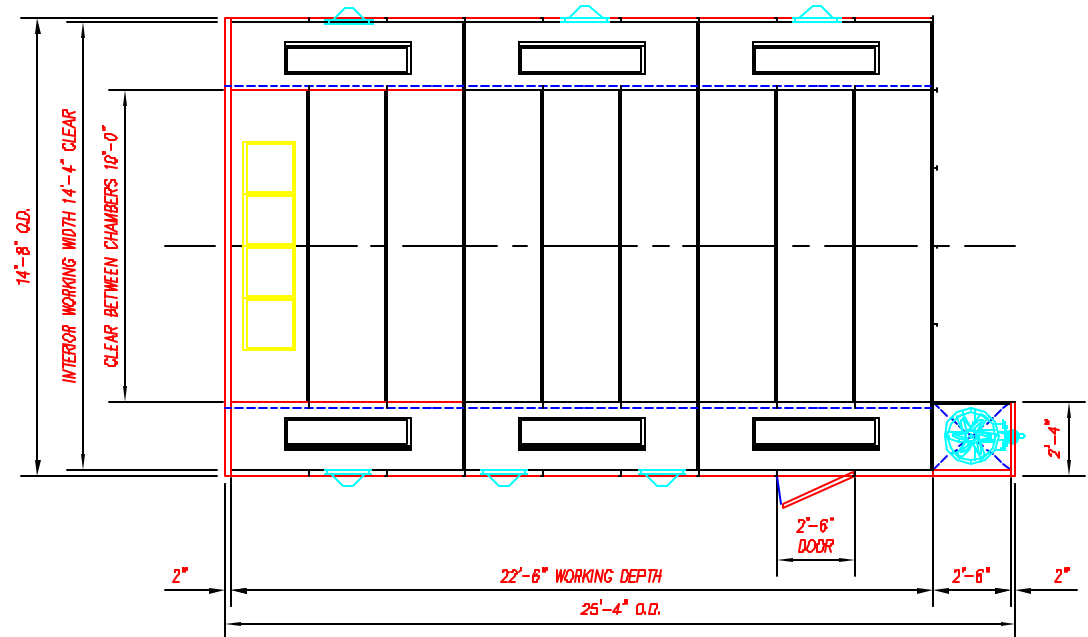
THE ASSEMBLY DRAWINGS YOU HAVE RECEIVED ARE IN A GENERAL REFERENCE. OPTIONAL ACCESSORIES MAY NOT BE SHOWN AS PROVIDED. PLEASE REFER TO YOUR PURCHASE ORDER FOR A COMPLETE DESCRIPTION OF YOUR BOOTH ORDER.

APPROVAL DRAWING
 MANUFACTURING WILL AWAIT APPROVAL
 END USER SIGNATURE: _____
 MOTOR SUPPLY VOLTAGE: _____
 LIGHT SUPPLY VOLTAGE: _____
 PLEASE SIGN THE APPROVAL
 DRAWING, MAKE ANY NOTES TO
 DRAWING THAT MAY AFFECT ORDER.
 NOTE: ANY CHANGES TO DRAWING
 MAY EFFECT CHARGES, DELAY
 APPROVAL PROCESS AND DELAY
 THE PRODUCTION OF YOUR ORDER.

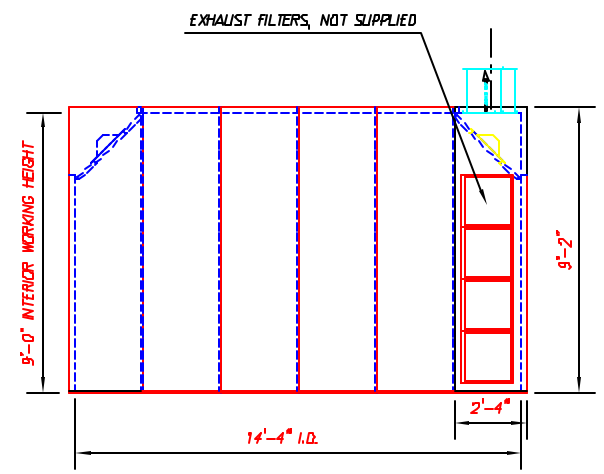
VOLTAGE CONFIRMATION
 MOTOR 460/3/60 VAC
 LIGHTS 120/60 VAC
 IF DIFFERENT, INDICATE BELOW

_____ / _____ / _____	VAC
_____ / _____ / _____	VAC

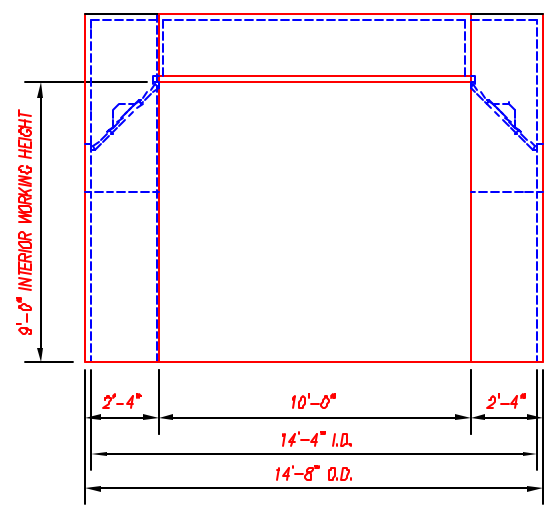
BOOTH WALLS & CEILING PANELS
 FABRICATED OF G-90, 18 GA
 GALVANIZED STEEL IN ACCORDANCE WITH
 THE IFC-2000 SECTION 1504.1.2.1 & NFPA
 -33 CHAPTER 3.1



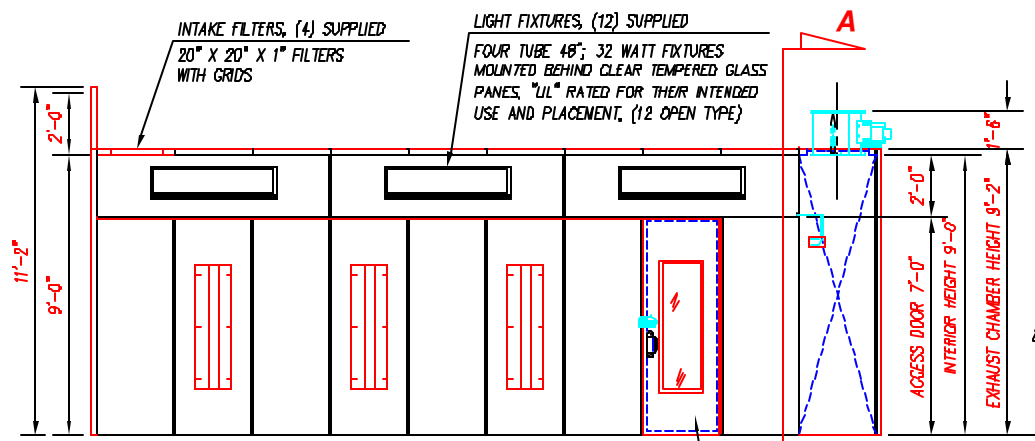
PLAN VIEW



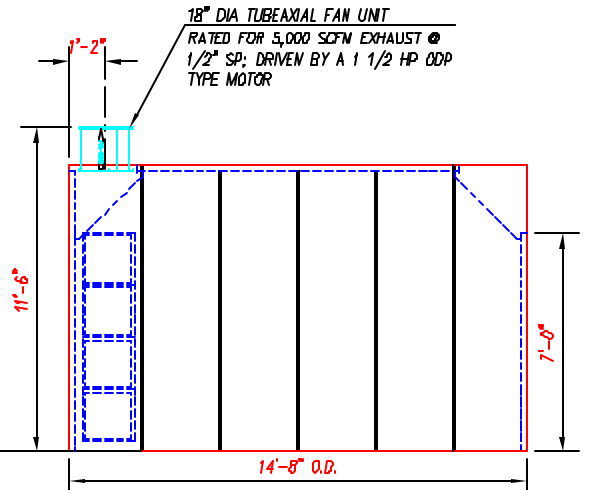
SECTION VIEW A-A



END VIEW



BOOTH SIDE VIEW



END VIEW @ CHAMBER

PERSONNEL ACCESS DOOR
 30" X 84" WITH OBSERVATION
 WINDOW, LATCH AND HANDLE

Designed by S.K.	Checked by D.T.	Approved by - date 04/07/03	Filename S00-35-SB	Date 04-03-05	Scale NTP
			ALUMA ROOM		Sheet 1 of 1
			APPROVAL.DWG		